

RGB LED Lighting Signal Repeater

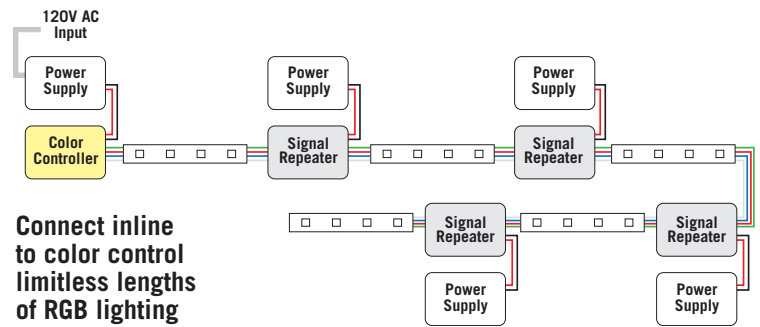
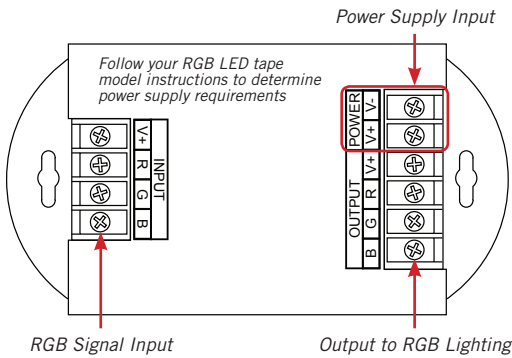
Model SRRGB15, AL Item # 780000

- Use RGB LED Signal Repeaters throughout larger lighting designs with a single color controller to maintain color consistency and synchronization of any color-changing effect.
- Use in conjunction with an RGB color controller and an auxiliary power supply for large perimeter and array lighting applications.
- Connect multiple Signal Repeaters to a single RGB controller to color control limitless lengths of RGB lighting.
- Professional-grade, high-capacity unit is rated for up to 288 watts of 12-volt RGB LED tape lighting or 576 watts of 24-volt LED lighting. No minimum load is required.
- Suitable for indoor or outdoor use when unit is installed in a proper wet location enclosure.
- Uses proprietary high speed optocouplers that keep LED lighting colors and effects in synchronization regardless of the number of Signal Repeaters installed.

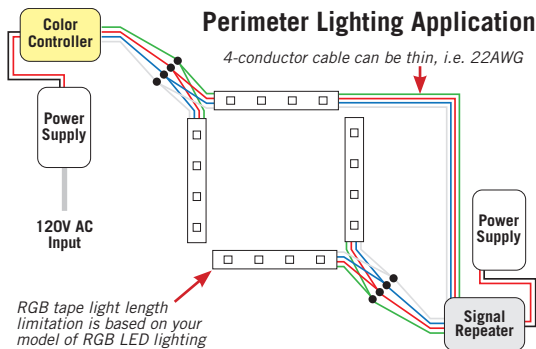
Connections and Typical Applications

In large area applications the low voltage wire that runs from the RGB color controller to the LED lighting can sometimes be too long to carry adequate power due to voltage drop. By integrating one or more RGB Signal Repeaters into the lighting installation, you can repeat the RGB signal from the color controller to add RGB lighting to other areas.

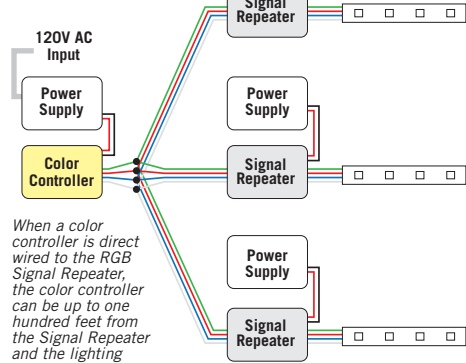
IMPORTANT: This device amplifies or repeats the RGB signal, not the power. Each Signal Repeater installed will require a separate power supply. Output rating (watts) of the power supply connected to the Signal Repeater is dependent on the power requirements of the LED lighting that is connected to the Signal Repeater. Follow your RGB LED tape model instructions to determine power supply requirements.



When a color controller is wired directly to one or more RGB Signal Repeaters (not connected to RGB LED lighting), the Signal Repeaters and LED lighting can be located up to one hundred feet from the actual color controller. This can often solve voltage drop issues and may also help with certain installation needs. When a controller is direct wired to a Signal Repeater, the cable will be transmitting only data, so a thick cable is not needed. Armacost Lighting 22AWG 4C CL 2 UL listed cable is recommended.



Large Array Remote Installation Application



SPECIFICATIONS

Working temperature	-4 – 122 °F (-20 – 50°C)
Working voltage	DC12V or 24V
Input signal	PWM dimming signal
Dimming range	1% – 100%
Net weight	5 oz.
Connection type	screw connect terminal block
Max output power	12V: ≤288W, 24V: ≤576W
Approx. dimensions	5¾" L x 3" W x ¾" H