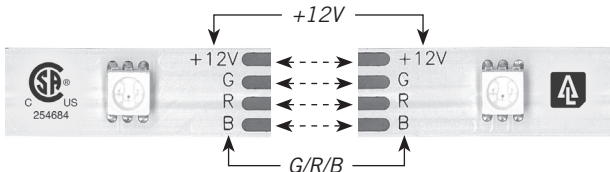


RibbonFlex Pro® Outdoor Instruction Supplement

Prior to starting, thoroughly read the indoor instruction guidelines. Outdoor RibbonFlex Pro installations follow the same basic guidelines as the indoor instructions, however, all connections must be sealed with heat shrink tubing or a waterproof adhesive sealant.

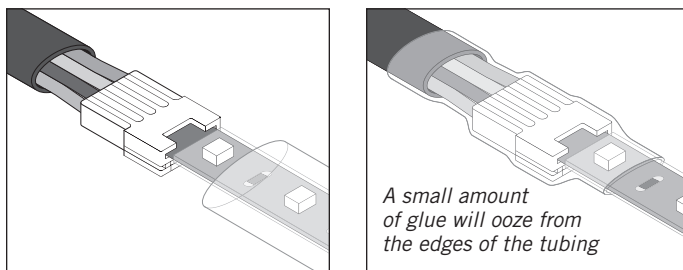
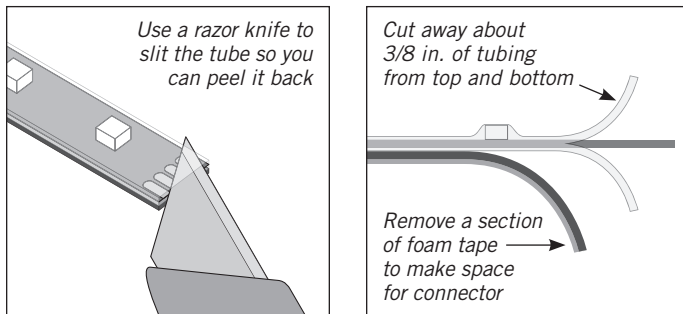
- The 3M peel and stick foam tape will allow the LED lighting to bond to a variety of surfaces; but make sure the surface is clean and dry prior to installation.
- Only use the outdoor rated SureLock Wire Lead Connectors or solder and seal all LED tape splices and wire connections. For any RV or marine application, soldering is required due to vehicle vibrations.
- Regardless of the color of wires being used, always use the +12V / G / R / B indicators printed on the tape light to maintain the same polarity and correct color sequencing when running cables to your color controller or connecting one section of tape lighting to another.



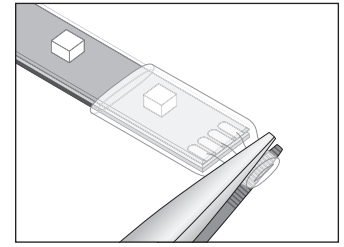
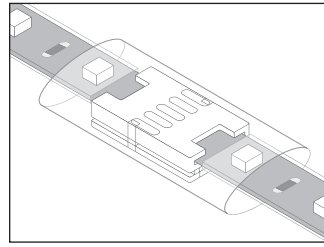
- Always test your lighting prior to sealing with heat shrink tubing and before the final installation to make sure that you have maintained polarity throughout. Check to see that red, blue, and green LEDs all light.

Preparing the tape lighting for connections

IMPORTANT: Be sure to follow the “How to Use SureLock Connectors” guidelines on page 3 of the indoor instructions. This section below illustrates tube preparation and heat shrink sealing of the connectors. A waterproof sealant can also be used to seal cut tape light ends.



- Slide a 2 in. section of heat shrink tubing over LED tape
- Insert LED tape fully into connector and lock door securely
- Use a heat gun to shrink the tubing while heating all sides evenly



Follow same guidelines when using heat shrink tubing over SureLock splice connectors. Heat from the center of the tube first, and then outwards to the edge.

Use a small section of shrink tubing to seal cut ends. While the tube is still warm, lightly pinch the end with pliers to seal. Glue should ooze from the end.

IMPORTANT: Be sure LED tape stays inserted into connector and does not shift or pull out when applying heat to shrink tubing.

SureLock Wire Lead Connectors can connect to either end of the LED strip. Be sure to maintain orientation, with the Armcast logo and LEDs facing up. Be sure to fully insert the tape into the connector before closing the bottom door.

A properly sealed connection is shown below



A properly sealed connection shown from the back side



Note: You can cover and seal the 3M foam tape with the heat shrink tube, but be sure to peel back and remove the red plastic backing of the tape prior to sealing.

Disconnect power before cutting or connecting LED tape lighting. Do not allow the positive (12V +) wire on the controller to come in contact with the other RGB wires while energized or you may short circuit and damage the color controller.

For how-to installation videos, visit armcastlighting.com/installation.

For outdoor installation accessories, including useful tools, visit armcastlighting.com/accessories.

- Staple systems for securing outdoor tape lighting
- Outdoor cable, wire stripping, and crimping tools
- Heat shrink tubing and waterproof adhesive/sealant
- Cool Seal® weatherproof crimp butt splice connectors
- Wet location enclosures for power supplies and controllers

Limited one-year warranty

This LED tape lighting is CSA-certified for wet locations, including interior and exterior locations where water may drip, splash, or flow on or against the LED tape lighting. This product has not been approved or pressure-tested for continuous underwater use. Because installation techniques will vary by skill level, the installer is ultimately responsible for properly making and sealing waterproof connections. Armcast Lighting will not be liable for failures due to water damage or any other improper installation.

